

Model.

Pro-Silver Plus Gun

**Code :**

- G72P000 : Equipped with Tip Guide / Retainer / Packing
- G72P000-X1 : Without Tip Guide / Retainer / Packing
- G72P000-Z2 : Equipped with Switch Tip Guide(RAC Tip guide)

Material : AL**Max. Pressure(Bar) : 250****Net Weight(g) : 470****Thread(Outlet, Inlet) : UNF7/8" x14IN, NPS1/4" x18IN****RPK : RG72P000**

This manual contains important warnings and information.

READ AND KEEP FOR REFERENCE**HAN SHIN PAINTING SYSTEMS**www.hasco-airless.com

Head Office & Factory #552, Shinpyung 1dong, Sahagu, Busan, Korea Tel.82-51-291-4138 Fax.82-51-291-4194 Zip code : 604-032
Overseas Business Department Tel.82-51-319-3039 Fax.82-51-319-3049 E-mail :hasco@hascopro.co.kr hascopro@hotmail.com

1. Safety instructions for airless spray guns.

1-1 Danger of injury through the spray jet.

Never direct the spray gun towards yourself, or any other persons or animals.
The spray jet should never be allowed to come into contact with any part of your body.

CAUTION

Missing or being damaged spray jet touch guard (switch tip and flat tip guide) can cause serious injuries through the injection of coatings into the skin.

The very high spray pressures, airless spray guns can cause very serious injuries. Coating materials can be injected into the skin when it comes into contact with the spray jet. In case of any skin injured by coatings or solvents, consult a doctor immediately for rapid, expert treatment. Inform your doctor of the coating or solvent which you have used.

1-2 Never use higher operating pressures than those indicated on the spray gun.

Connecting spray gun to the airless high-pressure pump components, it must be ensured that the airless high-pressure pump is compatible with the max. operating pressure of the spray gun. All specifications of the accessories (such as paint hose and components through which coating material flows) should be in line with this spray gun's specification, especially with connecting threads.

1-3 Recoil of spray gun.

In case of high operating pressure, pulling the trigger can effect a recoil force of up.

CAUTION

When you temporarily stop work, always lock the spray gun using the safety catch

1-4 Don't use spray guns when :

- The safety catch is damaged or loose.
- The trigger guard is missing or loose.
- Spraying continues even if the trigger is released.
- The spray gun leaks, in which case always contact your service point.

2. Proper use of spray gun (Pro-Silver Plus Gun)

The spray gun is intended for the pressurized atomization (airless process) of liquid coating materials. The coating material is atomized due to the high pressure (Airless pump) forcing it through the tip. This gun is most recommendable for our Pro-281 or Pro-60N pump to be not used higher working pressure than 250 bar.

3. Connecting the airless spray gun to the airless high pressure pump

- Make sure that the airless high-pressure pump is pressure-relieved and switched off
- Lock the airless spray gun-safety catch off.
- Connect airless spray gun to high pressure hose and to the airless high-pressure pump.
- Fit a standard tip, refer to HASCO catalogue 2008", Fit other nozzles only in accordance with nozzle manufacturer's instructions.

4. Fitting of Standard tips & Tip-filter

- Insert standard tip & tip-filter into tip guide, and then sealing teflon gasket into retainer.
- Screw tip guide, retainer onto the airless spray gun, tighten tip guide & retainer.

5. Operation

Put airless high-pressure pump into operation according to manufacturer's instructions. Set required operating pressure. Unlock the safety catch on the airless spray gun and pull the trigger. To stop spraying, release the trigger.

CAUTION The airless spray gun must always be made "safe" with the safety catch if you temporarily stop work.

6. Structure

Connecting Tip Guard:
UNF 7/8"



7. Cleaning

- After stopping work for the day, relieve the operating pressure. Unscrew tip guide, retainer along with the tip & tip-filter. Flush airless high-pressure pump, medium hose and airless spray gun with a suitable cleaning agent at low operating pressure.
- Clean tip & tip-filter thoroughly with a suitable cleaning agent, so that no coating medium residue remains.
- Clean the outside of the airless spray gun thoroughly.

Liquid Inlet (NPS 1/4")

WARNING Don't continue to use a defective Airless spray gun.



NOTE : Maintenance work should only be carried out by suitably qualified, authorized personnel.

8. Maintenance

8-1 Blocked tip

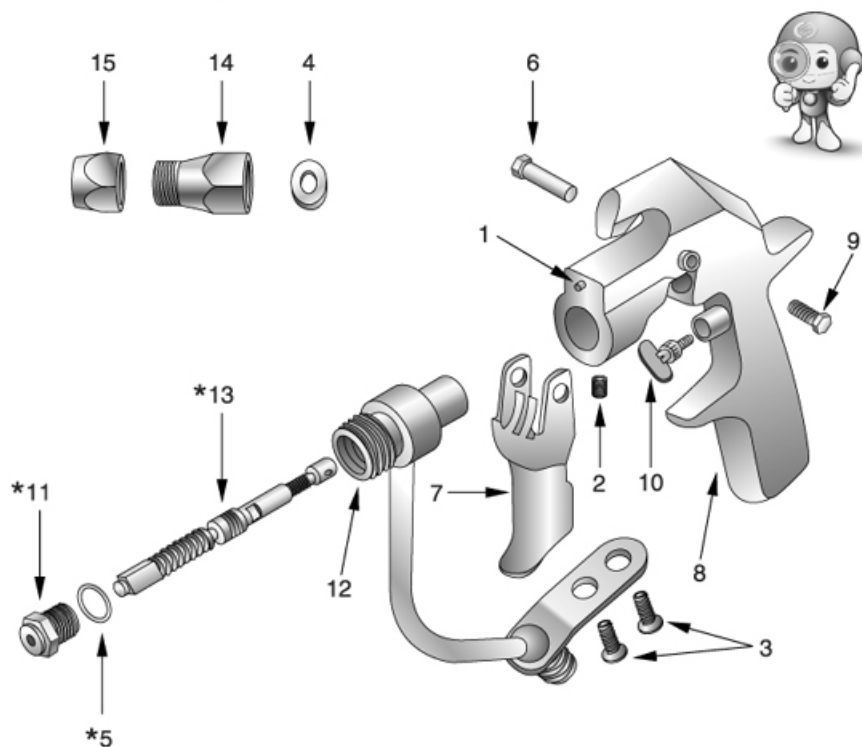
NOTE : If a different nozzle type has been fitted, then clean it according to manufacturer's instructions. Lock airless spray gun and dismount the tip.

Place tip in an appropriate cleaning agent until all coating material residue is dissolved. Push coating medium residue out through the back using a toothpick. If compressed air is available, blow it through the tip from the outlet side. Refit tip.

8-2 Any leakages from sealing

If coating medium leaks out between seat housing and seat, then replace seal gasket, clean seat housing & seat thoroughly and also, between seat and retainer, unscrew retainer, remove seal gasket. Clean seat & retainer housing thoroughly. Insert a new sealing gasket with the flat side into the retainer, and refit it.

● Parts Drawing & Spare parts (RPK : RG72P000)



NO	CODE	DESCRIPTION	QTY
1	G72P001	PIN	1
2	G72P002	SET SCREW	1
3	G72P003	SCREW	2
4	G30N020	PACKING	1
*5	G30N004	GASKET(COPPER)	1
6	G72P006	PIN	1
7	G72P007	TRIGGER	1
8	G72P008	BODY	1
9	G72P009	SCREW	1
10	G72P010	SAFETY LOCK	1
*11	G72P011	SEAT	1
12	G72P012	HOUSING	1
*13	G72P013	NEEDLE ASSEMBLY	1
14	G30N002	RETAINER	1
15	G30N001	TIP GUIDE	1

NOTE : All parts marked "*" are "Wear and Tear" parts to be replaced with HASCO Repair Kit(RPK). HASCO repair kit would be greatly contribute to the customers' stable maintenance.